

Digital Drive^{PLUS}

plus

Quick Start Guide
Digital Drive^{PLUS} Series Subwoofers

DD-10+
DD-12+
DD-15+
DD-18+

Velodyne[®]



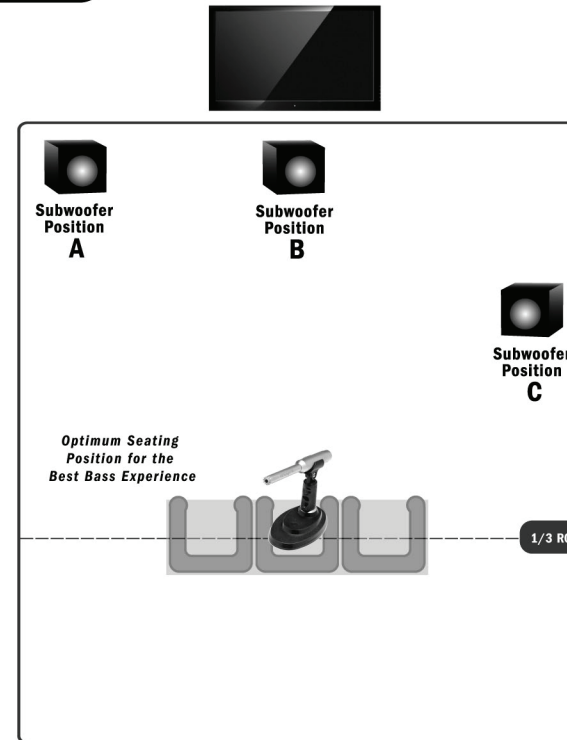
Package Contents

Your Velodyne Digital Drive^{PLUS} subwoofer comes with the following items:

1. Quick Start Guide
2. Power Cable
3. Two AAA Batteries
4. Accessory Kit
 - Remote Control
 - Mic + Mic Stand
 - USB Cable — 10 ft.
 - Mini-XLR (Mic) Cable — 10 ft.
 - Composite Video Cable — 25 ft.
 - White Gloves
 - Sweep Tone CD
 - Windows[®] Setup Program CD



Step 1 Place Your Digital Drive^{PLUS} Subwoofer and Microphone



Recommended positioning for a single subwoofer:

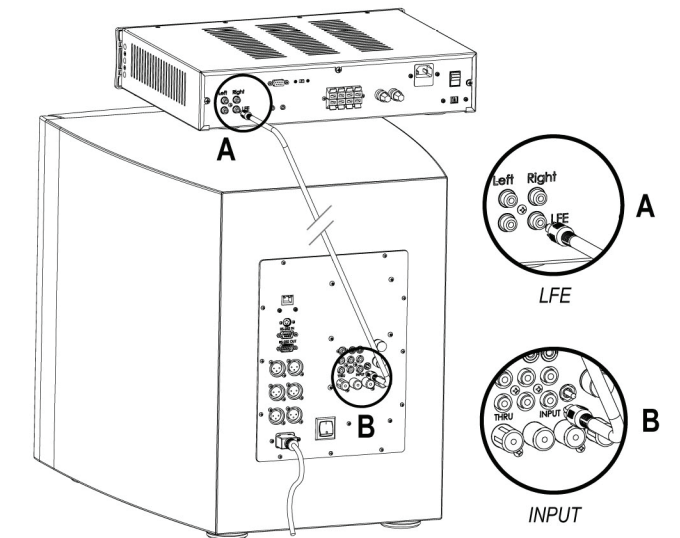
- A (Corner) - more bass, less smooth
- B (Center) - less bass, smoother
- C (Partial Wall) - experimenting can maximize bass and smoothness

If possible, try different placements. Your results may vary depending on room.

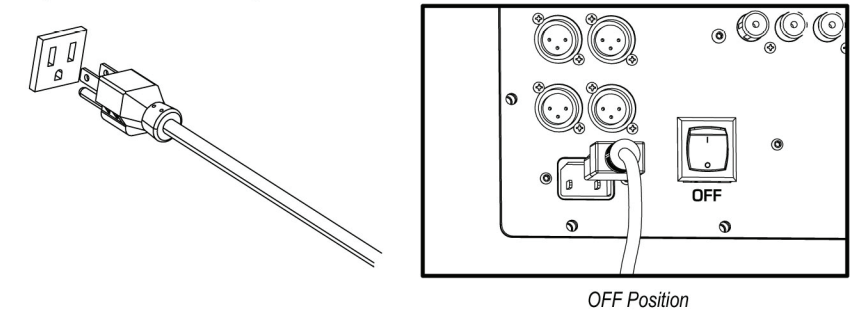
Step 2 Connections

Attach power, audio, and microphone connectors as shown below.

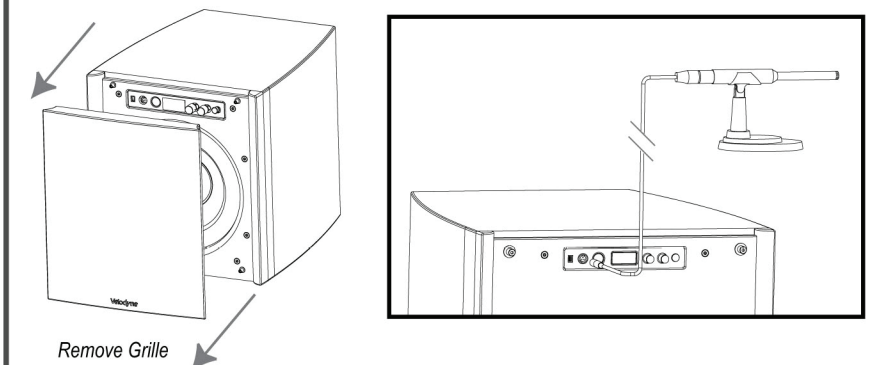
Make Connections



Connect Power



Connect Mic



Step 3 Configure Receiver and Play Sweep Tone CD

Configure your receiver's menu as shown, play Sweep Tone CD in your disc player.



Receiver



Disc Player

Sub = Yes
Speaker Size = Small*
Crossover = 80 Hz*
LFE Out = 0dB

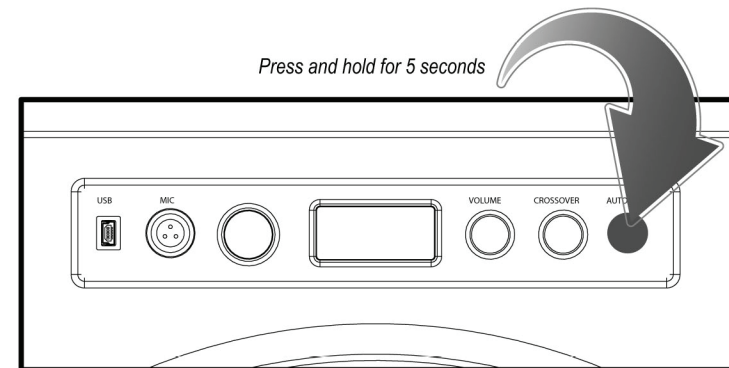
* Suggested - set as appropriate for main speakers

Sweep Tone CD



Step 4 Start Auto-EQ^{PLUS}

Hold EQ button on remote or AUTO EQ button on subwoofer front panel to invoke Auto-EQ^{PLUS}.



For Manual-EQ setup, connect your PC using the front USB port or connect to your TV using the rear video jacks.

To download the complete manual please visit www.velodyne.com/product-manuals

Step 5 Auto-EQ^{PLUS} Messages and Completion

Watch your subwoofer display for these codes to indicate Auto-EQ^{PLUS} progress. Estimated completion time is 5 minutes. After End message is displayed, remove CD.

Display Shows	Event	User Actions
<i>RU</i>	Initiating/In Progress	--
<i>HI</i> and <i>Err</i>	System level too high	Lower receiver volume Push remote RESET Repeat Step 4
<i>LO</i> and <i>Err</i>	System level too low	Raise receiver volume Push remote RESET Repeat Step 4
<i>RU</i> alternating with:		
<i>00</i>	Subwoofer muted	--
<i>30</i>	Adjusting volume/crossover	--
<i>SLP</i>	Adjusting slope	--
<i>PHS</i>	Adjusting phase	--
<i>RU</i>	Adjusting EQ/In Progress	--
<i>End</i>	Complete!	Press SELECT on remote for 5 seconds

Step 6 Enjoy!

Carefully re-pack your setup CD's, Mic, Mic Stand, Cables and store with your DD^{PLUS} packaging for future use.

Enjoy Your New Digital Drive^{PLUS} Subwoofer!

Digital Drive^{PLUS}

Multiple Subwoofer Guide

Recommendations for setting up two or more subwoofers.

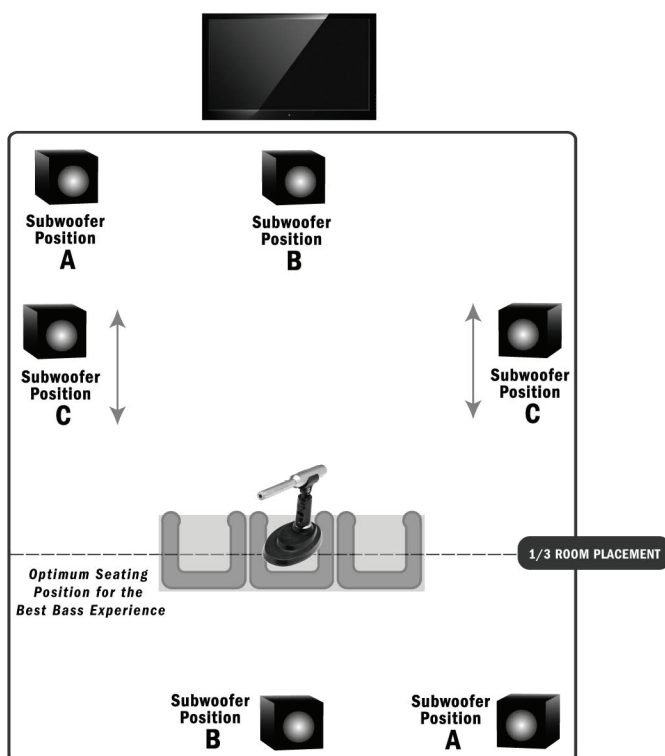
Quick Start Guide Digital Drive^{PLUS} Series Subwoofers

- DD-10+
- DD-12+
- DD-15+
- DD-18+

Velodyne[®]



Step 1 Place Your Digital Drive^{PLUS} Subwoofers and Microphone



Recommended positioning for two subwoofers:

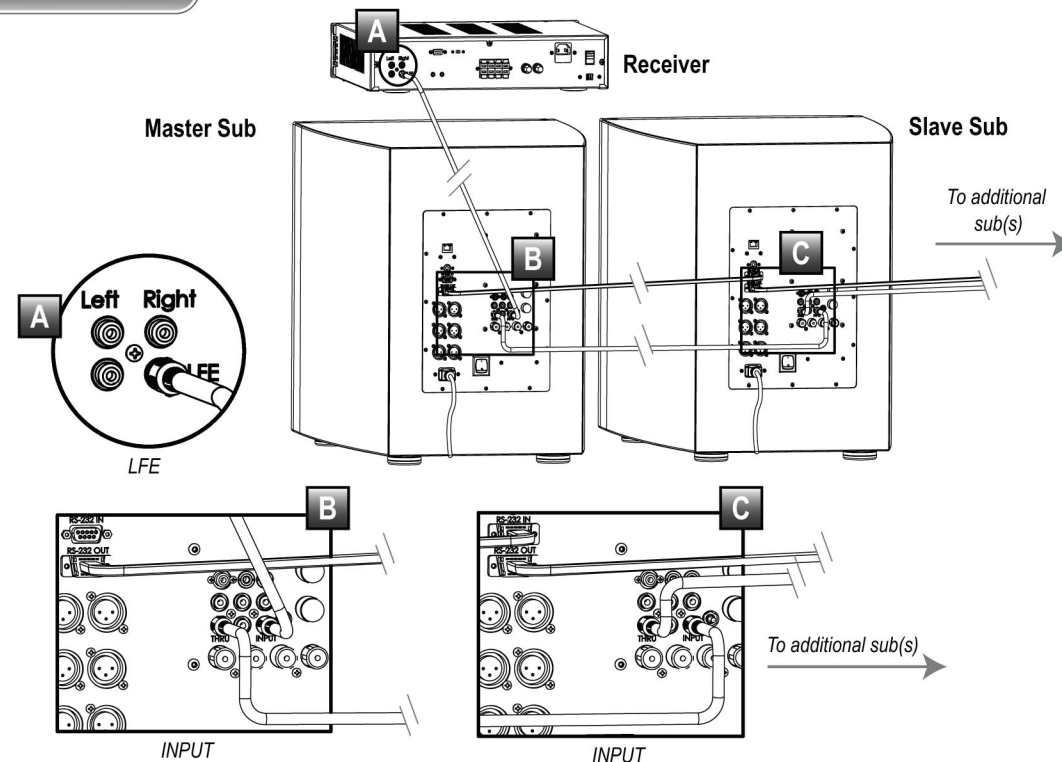
- A (Corner) - more bass, less smooth
- B (Center) - less bass, smoother
- C (Partial Wall) - experimenting can maximize bass and smoothness

If possible, try different placements. Your results may vary depending on room.

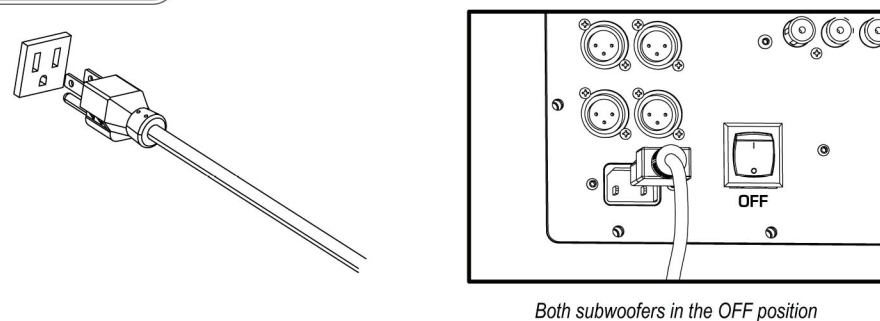
Step 2 Connections

Attach power, audio, and microphone connectors as shown below.

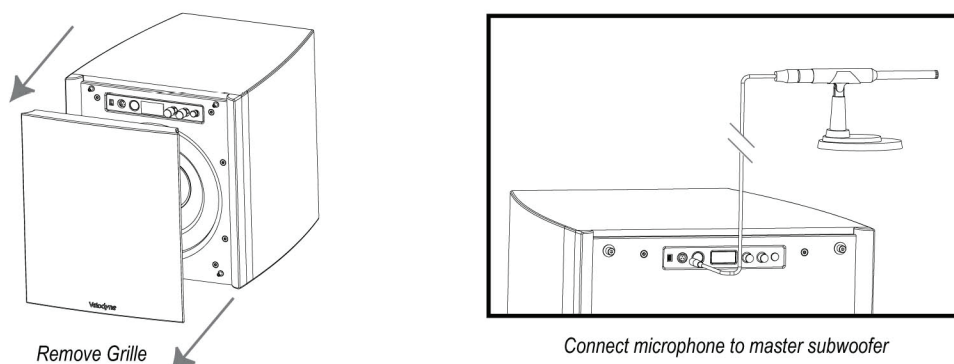
Make Connections



Connect Power



Connect Mic

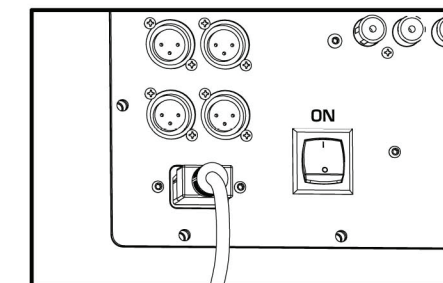


Step 3 Configure Receiver and Play Sweep Tone CD

Please refer to reverse side.

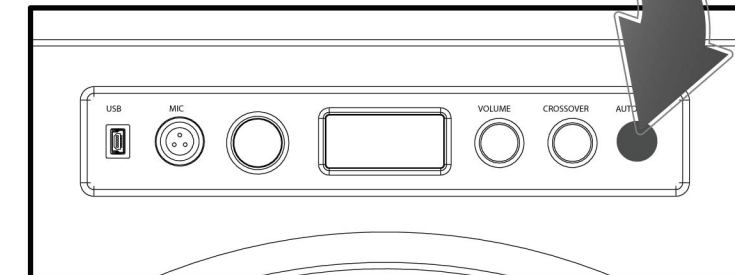
Step 4 Start Auto-EQ^{PLUS}

Turn on master subwoofer, then the slave. Hold EQ button on remote or AUTO EQ button on master subwoofer front panel to invoke Auto-EQ^{PLUS}.



Both subwoofers in the ON position

On master subwoofer, press and hold Auto-EQ button for 5 seconds



For Manual-EQ setup, connect your PC using the front USB port or connect to your TV using the rear video jacks.

To download the complete manual please visit www.velodyne.com/product-manuals

Step 5 Auto-EQ^{PLUS} Messages and Completion

Please refer to reverse side.

Step 6 Enjoy!

Carefully re-pack your setup CD's, Mic, Mic Stand, Cables and store with your DD^{PLUS} packaging for future use.

Enjoy Your New Digital Drive^{PLUS} Subwoofer!